



34081

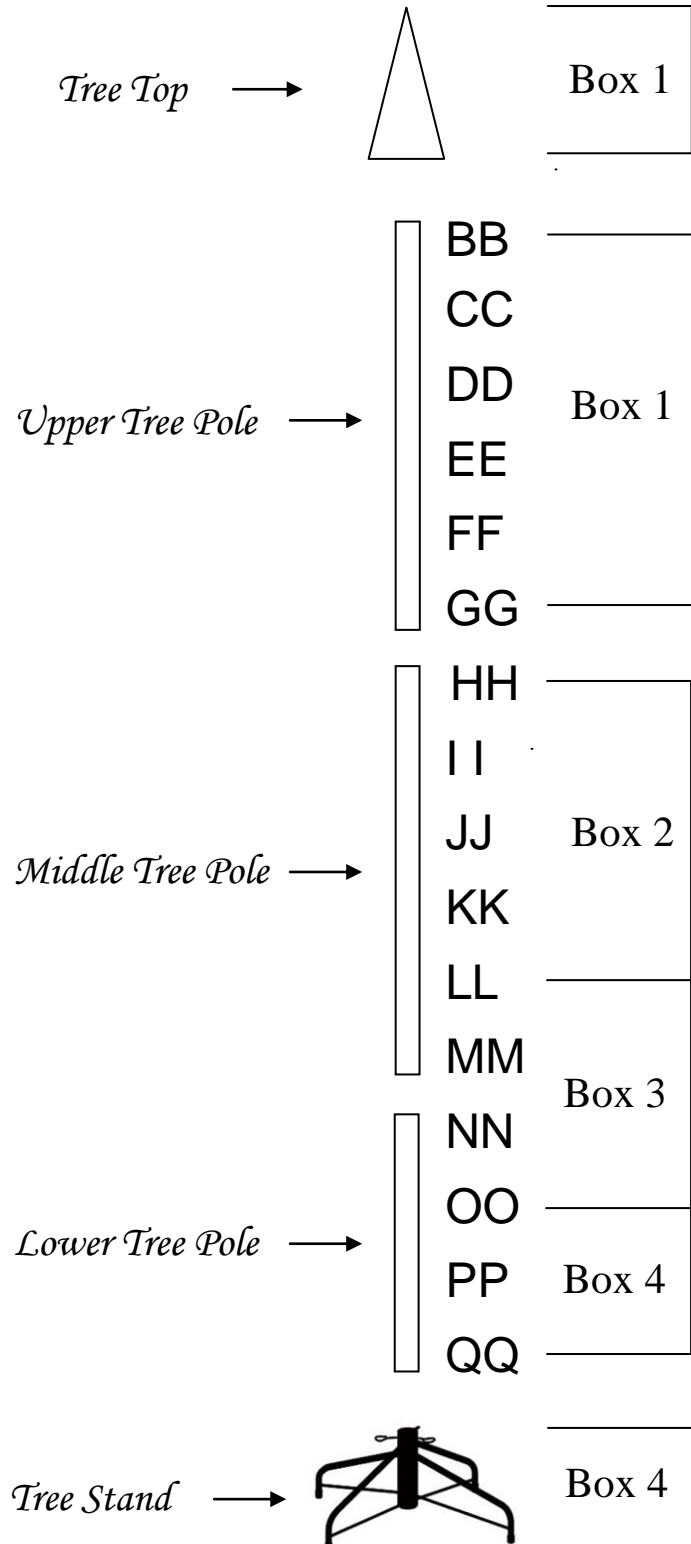


12 FEET (360cm) COLORADO HOOK TREE

TOTAL 4 INNER BOXES

Box 1	
1	– Tree Top
3	– Tree Poles
6	– BB Branches
6	– CC Branches
6	– DD Branches
6	– EE Branches
6	– FF Branches
6	– GG Branches
Box 2	
6	– HH Branches
6	– II Branches
6	– JJ Branches
6	– KK Branches
3	– LL Branches
Box 3	
3	– LL Branches
6	– MM Branches
6	– NN Branches
3	– OO Branches
Box 4	
3	– OO Branches
6	– PP Branches
6	– QQ Branches
1	– Tree Stand

TREE CONSTRUCTION SKETCH





This tree can be converted to an alternative

9 FEET (270cm) COLORADO HOOK TREE

TREE PARTS REQUIRED

- 1 - *Tree Top*
- 6 - **BB** *Branches*
- 6 - **CC** *Branches*
- 6 - **DD** *Branches*
- 6 - **EE** *Branches*
- 6 - **FF** *Branches*
- 6 - **GG** *Branches*
- 6 - **HH** *Branches*
- 6 - **II** *Branches*
- 6 - **JJ** *Branches*
- 6 - **KK** *Branches*
- 2 - *Tree Poles*
- 1 - *Tree Stand*

TREE CONSTRUCTION SKETCH

